

LMB-15C Series, 15 Watt

FEATURES:

- ✓ Constant current output
- ✓ Input voltage range 200-240Vac
- ✓ Short circuit, overload over temperature protections
- ✓ Designed to worldwide safety standards for lighting
- ✓ Cooling by free air convection
- ✓ 3 years warranty



Model	Input voltage (Vac)	Output current (mA)	Output voltage (Vdc)		Output power (W)
			Min.	Max.	
LMB15-C350	200-240	350	24	42	15
LMB15-C500		500	16	30	15
LMB15-C700		700	12	21	15

ELECTRICAL

Input						
Parameters	Symbols	Test Conditions / Comment	Min.	Typ.	Max.	Units
Input voltage	V_{in}	---	180	--	264	Vac
Input frequency	F_{line}	---	47	--	63	Hz
Input current	I_{in}	Full load, $V_{in} = 230Vac$	--	--	0.25	A
Inrush current	I_{inrush}	Cold start, $V_{in} = 230Vac$	--	--	70	A
Power factor	PF	70%~100% load, $V_{in} = 220Vac$	0.5	--	--	PF
Efficiency	η	Full voltage, full load	--	83	84	%
Output						
Output current	I_{out}	LMB15-C350	315	350	385	mA
		LMB15-C500	450	500	550	mA
		LMB15-C700	630	700	770	mA
Output voltage	V_{out}	LMB15-C350	24	--	42	V
		LMB15-C500	16	--	30	V
		LMB15-C700	12	--	21	V

LMB-15C Series, 15 Watt
ELECTRICAL
Output

Parameters	Symbols	Test Conditions / Comment	Min.	Typ.	Max.	Units
Line regulation	$I_{out-line}$	V_{in} from 200Vac to 240Vac	--	--	1	%
Load regulation	$I_{out-load}$	V_{out} from min. To max.	--	--	5	%
Turn-on delay time	T_{on_delay}	Cold start, power on	--	--	2	S
Ripple	--	---	--	100	--	mA

Protection

Overload	Hiccup mode, it will recover automatically after fault conditions remove					
Short circuit	Hiccup mode, it will recover automatically after fault conditions remove					
Over temperature	Protection type: shut down O/P voltage recovers automatically after temperature goes down					

Environment

Storage	$T_{storage}$	Humidity: 5% RH to 95% RH	-40	--	+80	°C
Ambient operating temperature	T_a	Startup at rated voltage	-20	--	+45	°C
Maximum case temperature	T_c	Hot-spot on case	--	--	+80	°C
Operating relative humidity	H_a	Non condensing	10	--	95	%
MTBF	T_{MTBF}	Full load, 220Vac input, 25°C ambient temperature	--	--	30	kHrs
Dimension(LxWxH)	111.5x44x19.1mm					

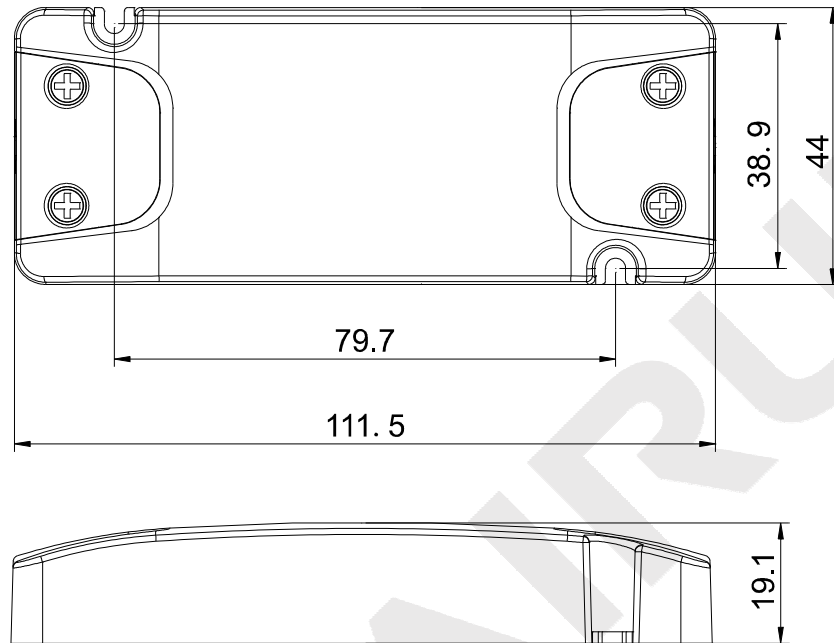
Safety / EMC

Safety standards	IEC61347-1	IEC61347-2-13				
EMI	IEC55015					
EMS IMMUNITY	IEC61547					
THD	IEC61000-3-2					

Notes: Unless otherwise specified, all the above parameters are measured at ambient temperature of 25°C and V_{in} = 200Vac to 240Vac.

LMB-15C Series, 15 Watt

MECHANICAL



Unit: mm